

FM MODULATOR

KCA-20FM

INSTRUCTION MANUAL

KENWOOD

0020-0403-KCA20FM INST

Please read this Instruction Manual thoroughly before installing your KCA-20FM.

Box Contents

- 1 x KCA-20FM FM Modulator
- 1 x Toggle Switch

If anything is missing or damaged, notify your dealer immediately. If your KCA-20FM was shipped to you directly, notify your shipper immediately.

Safety precautions

Caution

Take the following precautions to keep the unit in proper working order:

- Be sure the unit is connected to a 12V DC power supply with a negative ground connection.

- Do not open the unit.
- Do not install the unit where it will be exposed to high levels of humidity, moisture, or dust.
- When replacing a fuse, use only a new one with the proper rating. Using a fuse with the wrong rating may cause the unit to malfunction.
- To prevent a short circuit when replacing a fuse, first deactivate the unit by flipping the toggle switch to the *OFF* position (see page 4).
- When drilling holes to mount the unit, make sure not to damage wiring or other systems on the other side.
- This equipment may generate or use radio frequency energy. Changes or modifications to this equipment may cause harmful interference unless they are expressly approved in the instruction manual. The user could lose the authority to operate this equipment if an unauthorized change or modification is made.

Installation

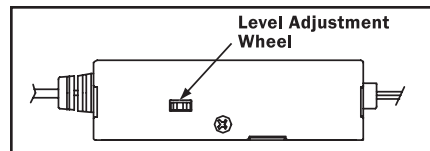
1. Select a location to mount the KCA-20FM. Ensure that the wires do not become entangled in the driver's or passenger's feet.
2. Use double-stick tape or screws to attach the KCA-20FM to the mounting surface.

Note: If using screws, make sure that they do not damage wiring or other systems on the other side of the mounting surface.

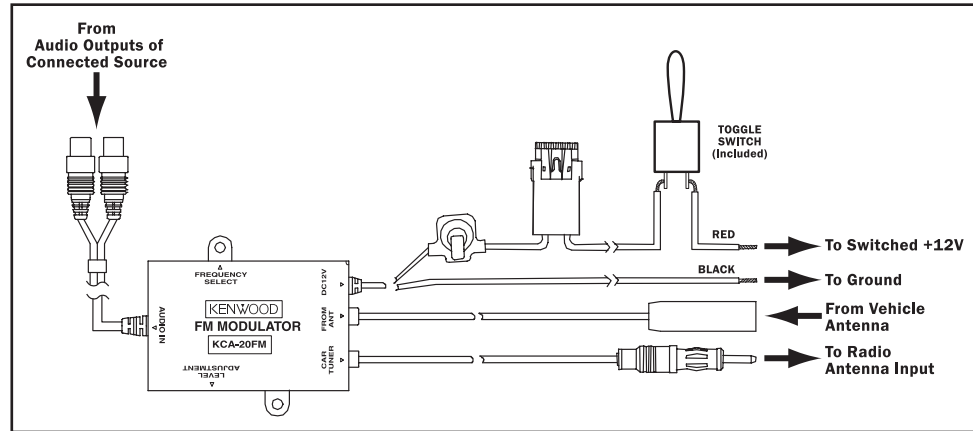
3. Connect the wires according to the diagram on the facing page.
 - Connect the supplied toggle switch on the +12V (red) line, between the fuse and the vehicle's battery.
 - Mount the toggle switch in a location that is easily accessible to the driver
4. Use an audio cable to connect the KCA-20FM to the connected source's left and right audio outputs

Adjusting the output level

If there is noticeable distortion when listening to the connected source component, reduce the KCA-20FM's output level by rotating the Level Adjustment Wheel that is visible on the side of the unit.



Adjusting the Output Level



KCA-20FM Connections

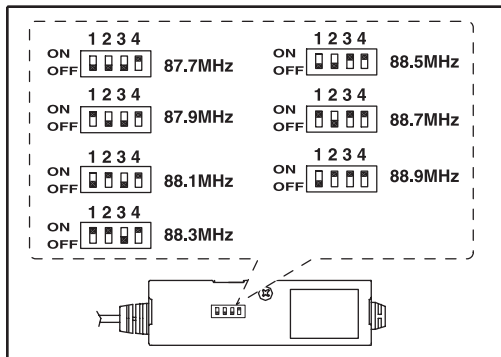
Setting the FM transmission frequency

1. Select a frequency from those listed on the diagram on the right that has no station broadcasting on it in your area
2. Use a small screwdriver to set the dip switches on the side of the unit to the desired frequency

Note: Some radios may not be able to receive 87.7MHz

Using the KCA-20FM

- Use the toggle switch to select between the connected source and the vehicle's radio.
- To listen to the connected source, set the vehicle's radio to the frequency selected above.



Setting the FM Transmission Frequency

If this unit fails to operate properly, contact your dealer, or call 1-800-KENWOOD

Visit us on the Internet at: www.kenwoodusa.com

KCA-20FM

Bottom of Modulator

